

# Relief Valves

## Features

- Compact design
- Cracking pressure adjustable externally
- Lock wire feature secures a given pressure setting
- Each and every valve is tested at the factory



## Set Pressure

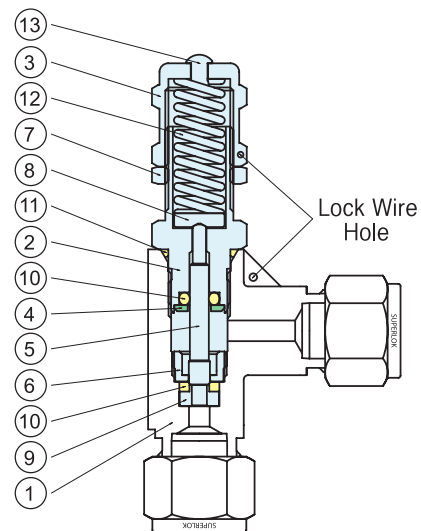
- Set pressure is the upstream pressure at which the first indication of flow occurs.  
Set pressure of each valve after initial relief is repeatable within  $\pm 5\%$  at room temperature.

## SRVL Series

### Low Pressure Relief Valve

## Technical Data

- Maximum working pressure : 300 psig (20.6 bar)
- Cracking pressure range : 10~250 psig (0.69~17.2 bar)
- Orifice size : 4.8mm
- One spring for the full set pressure range
- If required spring kit, mention part no : SRVL-KIT



## Materials of Construction

No.	Description	Material	No.	Description	Material
1	Body	SS316 / A182	9	Seat Retainer	SS316 / A276
2	Bonnet	SS316 / A276	10	Seat	PTFE
3	Cracking Pressure Adjusting Nut	SS316 / A276	11	O-Ring	Viton
4	Retainer	SS316 / A276	12	O-Ring	Viton
5	Stem Shaft	SS316 / A276	13	O-Ring	Viton
6	Stem	SS316 / A276	14	Spring	SS631
7	Lock Nut	SS316 / A276	15	Cap	Polypropylene
8	Spring Support	SS316 / A276			

# SRVH Series

## High Pressure Relief Valve

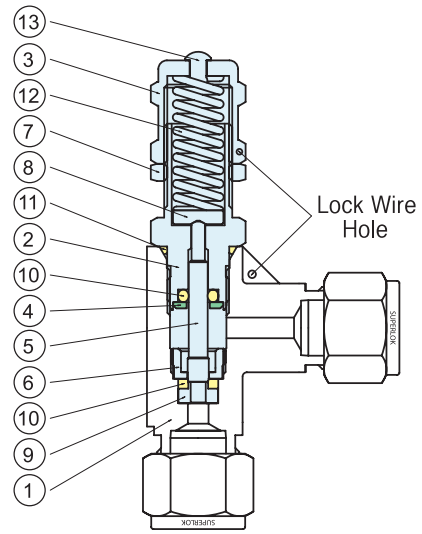
### Technical Data

- Maximum working Pressure : 6000 psig (413 bar)
- Cracking Pressure Range : 225~6000 psig (15.5~414 bar)
- Orifice size : 4.8mm
- Multiple springs for a selection of set pressure ranges

#### SRVH Series Spring

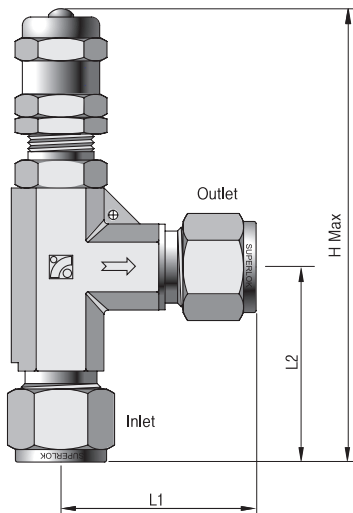
Spring Designator	Spring Color	Cracking Pressure		
		psig	bar	kPa
YE	Yellow	225~750	15.5~51.5	1550~5150
PP	Purple	750~1500	51.5~103	5150~10300
OE	Orange	1500~2250	103~155	10300~15500
BN	Brown	2250~3000	155~206	15500~20600
WH	White	3000~4000	206~275	20600~27500
RD	Red	4000~5000	275~344	27500~34400
GN	Green	5000~6000	344~414	34400~41400

※ If required spring kit, mention part no : SRVH-KIT-, ex)SRVH-KIT-YE



### Materials of Construction

No.	Description	Material	No.	Description	Material
1	Body	SS316 / A182	8	Spring Support	SS316 / A276
2	Bonnet	SS316 / A276	9	Stem Retainer	SS316 / A276
3	Cracking Pressure Adjusting Nut	SS316 / A276	10	O-Ring	Viton
4	Retainer	SS316 / A276	11	O-Ring	Viton
5	Stem Shaft	SS316 / A276	12	Spring	SS631
6	Stem Guide	SS316 / A276	13	Cap	Polypropylene
7	Lock Nut	SS316 / A276			



### Table of Dimensions

Part Number	Orifice	End Connection		Dimensions		
		Inlet	Outlet	L1	L2	H
SRVL or SRVH	4.8	1/4" SUPERLOK		38.7	37.3	104.6
		6mm SUPERLOK		38.7	37.3	104.6
		8mm SUPERLOK		38.7	37.3	104.6
		3/8" SUPERLOK		44.4	44.4	111.7
		1/2" SUPERLOK		46.7	46.7	114.0
		12mm SUPERLOK		46.7	46.7	114.0
		1/2" Male NPT	1/2" SUPERLOK	46.7	35.7	103.0
		1/2" Male NPT	12mm SUPERLOK	46.7	35.7	103.0
		1/4" Male NPT	1/4" Female NPT	30.0	32.2	99.5
		3/8" Male NPT	3/8" Female NPT	34.5	32.2	99.5
1/2" Male NPT	1/2" Female NPT	38.0	35.7	103.0		

• Dimensions shown with SUPERLOK tube fitting nuts finger-tight.  
 • All dimensions in millimeters unless specified as "inch". Dimension are for reference only, subject to change.

