

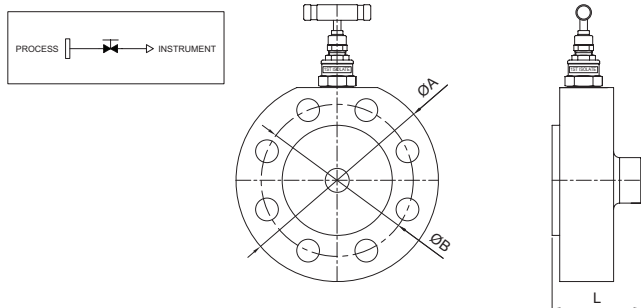
Monoflange Valves

Features

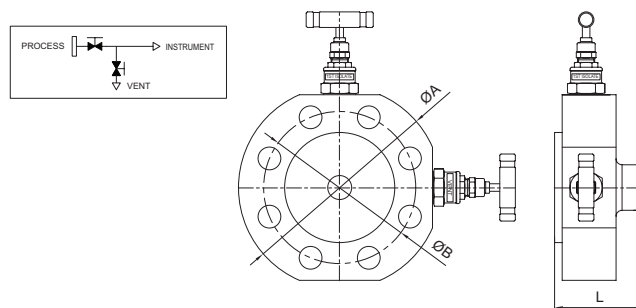
- ANSI B16.5 flanged inlet connections 1/2" to 2" sizes Class 150 rated to class 2500 rated.
- 1/2"-14 NPT(female) standard outlet.
- 1/4"-18 NPT(female) standard vent.
- Standard materials of Stainless steel
ASTM A182 F316/F316L, Carbon steel ASTM
A350 LF2/A105, Duplex ASTM A182 F51.
- Optional materials include Super Duplex, Monel, Hastelloy, Inconel.
- Combined needle and OS & Y valves available.
- Raised face and ring type joint flange styles.
- One-piece forged construction flange as standard.
- Fire safe designed to meet BS 6755 Part 2 / API 607.(As option)
- Pressure boundary designs calculated to ASME VIII Div 1 and verified by testing.
- Heat code traceable material to EN 10204.3.1.
- Bubble tight shut off valve seats 17-4 PH tips standard.
- Colour coded functional valves.
- Locking and anti tamper devices for all valve types available. (as option)
- Permanent marked body with full order and specification details.



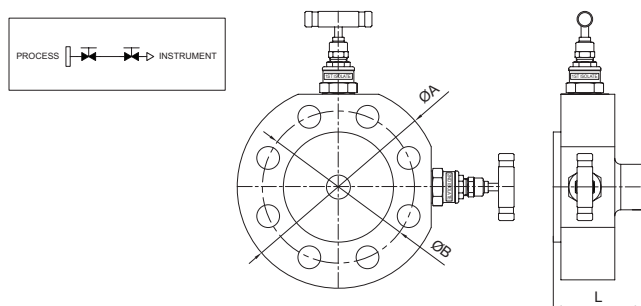
MF1V1 Series



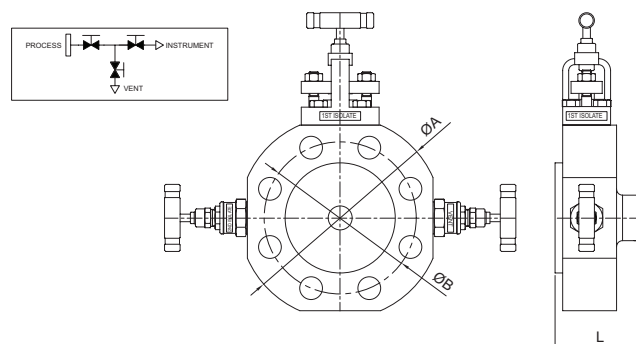
MF1V2 Series



MF1V3 Series



MF1V4 Series



Dimensions

Size (Inch)	Rating (lb)	Dimension			
		L(RF)	L(RTJ)	A	B
1/2 (DN15)	150	64	-	90	60.3
	300			95	
	600	68	64	95	66.7
	900/1500			120	82.5
	2500			135	88.9
3/4 DN(20)	150	64	-	100	69.8
	300			115	
	600	68	68	115	82.5
	900/1500			130	88.9
	2500			140	95.2
1 (DN25)	150	64	68	110	79.4
	300			125	
	600	73	73	125	88.9
	900/1500			150	101.6
	2500			160	108.0
1-1/2 (DN40)	150	64	68	125	98.4
	300	69	69	155	
	600	73	73	155	114.3
	900/1500			180	
	2500	82	84	205	146.1
2 (DN50)	150	69	73	150	120.6
	300			165	
	600	82	84	165	127.0
	900/1500			215	

• All dimensions in millimeters unless specified as "inch". Dimension are for reference only, subject to change.

Ordering Information

Example 1 : **MF1V41 - J8C8 - E - AB**

1
2
3 4 3
5
6

Example 2 : **MF1V11 - R8C8 - LF2**

1
2
3 4 3
6

1. Valves

MF - MONO FLANGE

2. Valve Type

IDENTIFY		1st ISOLATE	2st ISOLATE	VENT	
1 - FLANGE X FNPT 2 - FLANGE X FLANGE	V1	1	NEEDLE	-	
		2	OS & Y		
	V2	1	NEEDLE	-	NEEDLE
		2	OS & Y		
	V3	1	NEEDLE	NEEDLE	-
		2	OS & Y		
	V4	1	NEEDLE	NEEDLE	NEEDLE
		2	OS & Y	NEEDLE	
		3		OS & Y	

3. Connection Size

R - RAISED FACE (BLANK)	8 - 1/2"
J - RING TYPE JOINT FLANGE	12 - 3/4"
F - FLAT FACE	16 - 1"
AF - API-6B TYPE	24 - 1-1/2"
SA - SAE J518 FLANGE	32 - 2"
IS - ISO 6164 FLANGE	48 - 3"
JF - JIS FLANGE	

4. Pressure Class

A - 150
B - 300
C - 600
D - 900
E - 1500
F - 2500

5. Option

A - STANDARD (FIRE SAFETY)
D - LOCKING DEVICE
E - ANTI TAMPER KEY
F - BOLTED BONNET

6. Body Material

(BLANK) - SS316
15 - A105
LF2 - A350 LF2
F51 - A182 F51
M40 - MONEL 400
AB - AL BRONZE
625 - INCONEL 625