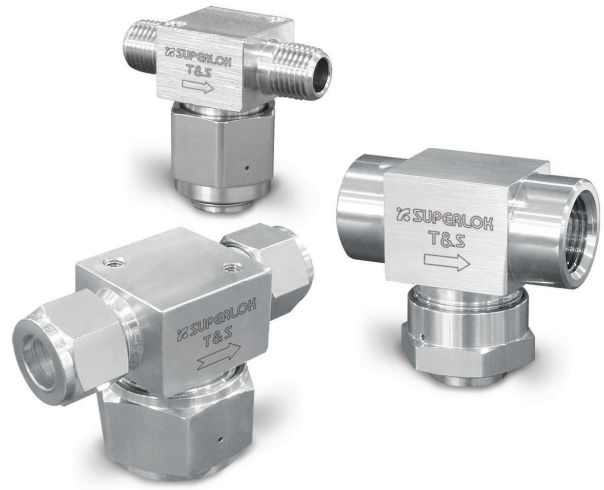


Micron Tee Filters

STF Series

Features

- Remove system particulate contaminants
- The filter element can be replaced without removing the body in the system
- Replaceable sintered filter element
- Maximum operating pressure:
6000 psi (414bar) @ 70°F (21 °C)
- Operating temperature range:
- 40°F to 250°F (- 40°C to 121°C)



Technical Data

Temperature and Pressure Rating

Filter Series	STF1 & STF2	
Material	SS 316	Brass
Temperature °F (°C)	Working pressure psig (bar)	
-20(-28) to 100(37)	6000(413)	2000(137)
200(93)	5160(355)	1730(119)
300(148)	4660(321)	1470(101)
400(204)	4280(294)	-
500(260)	3980(274)	-
600(315)	3760(259)	-
650(343)	3700(254)	-
700(371)	2600(248)	-
750(398)	3520(242)	-
800(426)	3460(238)	-
850(454)	3380(232)	-
900(482)	3280(225)	-

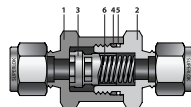
Effective Filtration Area

Filter Series	Sintered Element in ² (mm ²)
STF1	1.3(830)
STF2	2.0(1280)

Filter Elements

Nominal Pore Size μm	Pore Size Range μm
0.5	0.5 to 2
2	1 to 4
7	5 to 10
15	11 to 25
60	50 to 75
90	75 to 100

Materials of Construction

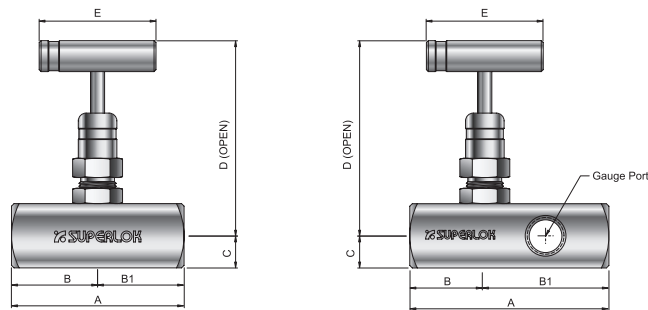


No.	Description	Material
1	BODY	A276-316
2	PACKING	PTFE
3	FILTER ELEMENTS	SS316 / Sintered
4	NUT	A276-316
5	GASKET	SS316 / Silver Plated
6	CAP	A276-316
7	SNAP RING	STAINLESS STEEL

Flow Data at 70°F (20°C)

Nominal Element Pore Size μm	Inlet Pressure, psig (bar)						Pressure Drop, psig (bar)					
	5 (0.34)		10 (0.68)		15 (1.0)		10 (0.68)		50 (3.4)		100 (6.8)	
	TF1	TF2	TF1	TF2	TF1	TF2	TF1	TF2	TF1	TF2	TF1	TF2
	Air Flow, L/min						Water Flow, L/min					
0.5	3.4	10	7.3	24	13	45	0.15	0.34	0.64	1.5	1.0	2.8
2	17	39	39	79	65	110	0.9	0.98	3.2	4.1	4.9	6.0
7	39	51	82	119	130	190	1.5	2.4	4.9	8.3	7.5	13
15	34	51	82	130	130	220	1.8	3.1	4.9	9.8	7.9	15
60	87	140	160	280	240	420	3.0	5.6	10	18	14	25
90	110	170	210	310	280	450	4.1	6.4	12	20	18	28

Table of Dimensions



Part Number	Orifice	End Connection Inlet / Outlet	Dimension				
			L1	L2	L3	C	H
STF1	M4N	1/4" Male NPT	27.7	27.7	43.4	9.7	27.0
	F2N	1/8" Female NPT	25.9	25.9			
	S4	1/4" SUPERLOK	31.3	31.3			
	S6M	6mm SUPERLOK	31.2	31.2			
STF2	M6N	3/8" Male NPT	31.2	31.2	44.2	11.7	34.0
	M8N	1/2" Male NPT	36.1	36.1			
	S6	3/8" SUPERLOK	36.3	36.3			
	S8	1/2" SUPERLOK	39.1	39.1			

• All dimensions in millimeters unless specified as "inch". Dimension are for reference only, subject to change
 • Dimension shown with SUPERLOK nuts measure in the finger-tight, where applicable.

Ordering Information

Example:

STF1 - M 4N - 7 - B

1 2 3 4 5

1. Valve Series

STF1: Orifice 4.4mm
 STF2: Orifice 6.4mm

2. Port Type

S: SUPERLOK Tube Fitting
 M: Male Pipe Thread
 F: Female Pipe Thread

3. Port Size

Pipe Thread Designation

Size (inch)	1/4	3/8	1/2
ISO Tapered	4R	6R	8R
NPT	4N	6N	8N

Tube O.D Designation

Tube O.D (inch)	1/4	3/8	1/2
Designation	4	6	8
Tube O.D (inch)	6	8	12
Designation	6M	8M	12M

4. Filter Element - Pore Size

0.5 : 0.5 Micron 2 : 2 Micron
 7 : 7 Micron 15 : 15 Micron
 60 : 60 Micron 90 : 90 Micron

5. Body Material

Blank : 316 Stainless Steel
 B : Brass