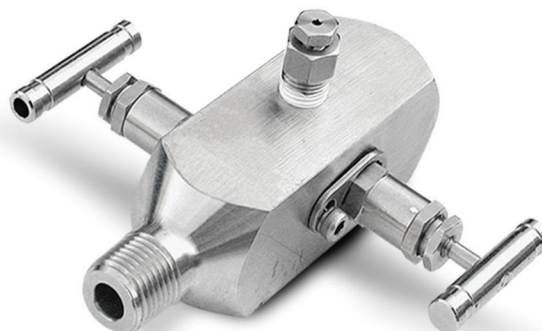
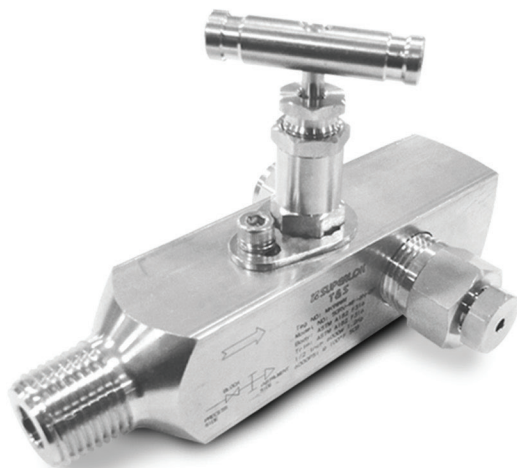


Instrumentation Gauge Valves

SGBV / SGBV2 Series



Features

- Stainless Steel construction.
- 1/2 in. and 3/4 in, male to 1/2 in. female end connections.
- 1/2 in. female gauge ports standard.

Specifications

Maximum Working Pressure Rating	6000 psig (413 bar) @100°F(38°C)
Temperature Rating	-65 to 450°F (-54 to 232 °C) with PTFE packing
Body Material	316 Stainless Steel
Orifice	0.125" (3.2mm), 0.250" (6.4mm)

Testing

- Each Valve is tested with nitrogen at 1000psig(69bar) to maximum allowable leak rate of 0.1 SCCM.
- Hydrostatic shell test is performed at 1.5 times of the working pressure. (OPTION)

Ordering Information

Example :

SGBV - M 8N - F 8N - SS

1 2 3 2 3 4

1. Valve Series

SGBV : Gauge
SGRV : Gauge Root Valve
SGBV2 : Gauge 2- Valve

2. End Connection Type

M : Male Pipe Thread
F : Female Pipe Thread

3. Port Size

Pipe Thread Designation

Size (inch)	1/2	3/4
Screwed NPT	8N	12N
Screwed BSPT	8R	12R

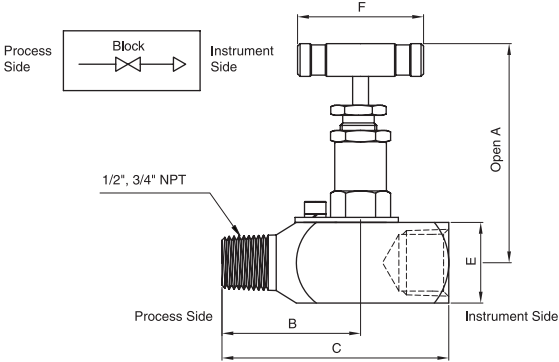
4. Body Material

SS : 316 Stainless Steel

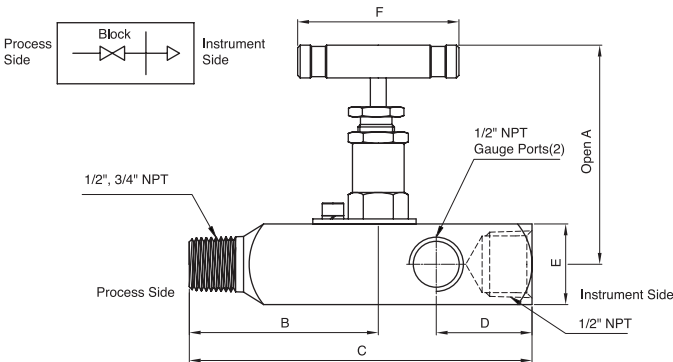
Gauge Valve

Gauge / Root Valve

SGBV(Gauge Valve)



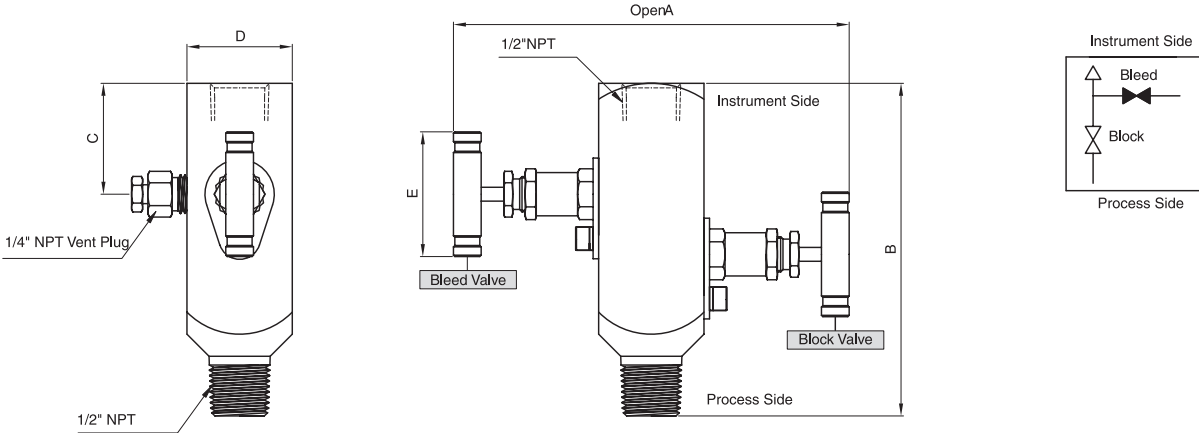
SGRV(Gauge Root Valve)



Part Number	End Connections		Dimensions (mm)					
	Process	Instrument	A	B	C	D	E	F
SGBV-M8N-F8N	1/2" Male NPT	1/2" Female NPT	68.4	54.0	90.0	-	32.0	45.0
SGBV-M12N-F8N	3/4" Male NPT	1/2" Female NPT						
SGRV-M8N-F8N	1/2" Male NPT	1/2" Female NPT	68.4	75.0	136.0	38.1	32.0	45.0
SGRV-M12N-F8N	3/4" Male NPT	1/2" Female NPT						

Gauge 2-Valve

SGBV 2



Part Number	End Connections		Dimensions (mm)				
	Process	Instrument	A	B	C	D	E
SGBV2-M8N-F8N	1/2" Male NPT	1/2" Female NPT	142	120	40	38	45

• All dimensions in millimeters unless specified as "inch". Dimension are for reference only and are subject to change.
 • To order a manifold with optional Grafoil packing, add-G to the manifold ordering number.