

High Pressure Ball Valves

SHBV Series - 10,000, 15,000 and 20,000 psi

Features

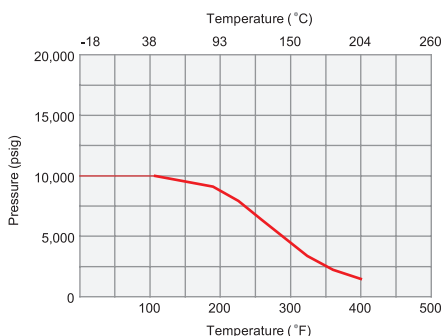
- Trunnion mounted style, ideal for severe duty applications.
- Two-way and three-way valve configurations.
- Three-way, quarter turn diverter and half turn switching models.
- Full-port flow path minimizes pressure drop.
- PEEK seats offer excellent resistance to chemicals, heat, and wear/abrasion.
- Type 316 stainless steel high tensile bodies.
- Electric and pneumatic actuator options.
- Viton O-ring for operation from 0°F (-17.8°C) to 400°F (204°C)
- Optional O-rings available.
- Wide selection of tube and pipe end fittings available.



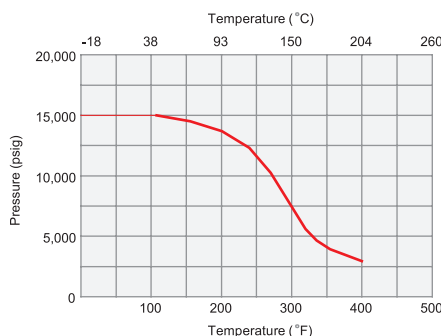
Technical Data

Pressure & Temperature Curve

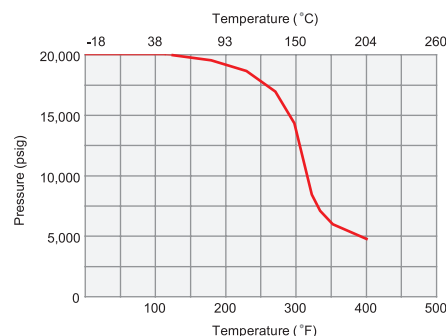
SHBV10 Series



SHBV15 Series



SHBV20 Series



Ordering Information

Example : **SHBV 203 - MP9 - 4 - SS**

1
2
3
4
5

1. Valve Series

- SHBV10 : 10,000 psi
- SHBV15 : 15,000 psi
- SHBV20 : 20,000 psi

2. Body Style

- Nil : 2-WAY Straight Valve
- 3 : 3-WAY VALVE, 180° Turn
- 3Q : 3-WAY VALVE, 90° Turn

3. Connection Size & Type

Size (inch)	1/8	1/4	3/8	1/2	9/16	3/4	1
NPT(Female)	F2N	F4N	F6N	F8N	-	F12N	F16N
Medium Pressure	-	MP4	MP6	-	MP9	MP12	-
High Pressure	-	HP4	HP6	-	HP9	-	-

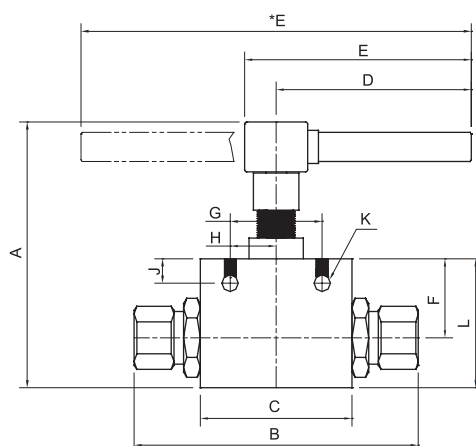
4. Orifice Size

4 : 6.35mm / 6 : 9.53mm / 8 : 12.7mm

5. Body Material

- SS : Stainless Steel / 276 : Hastelloy / 625 : Inconel 625

Table of dimensions

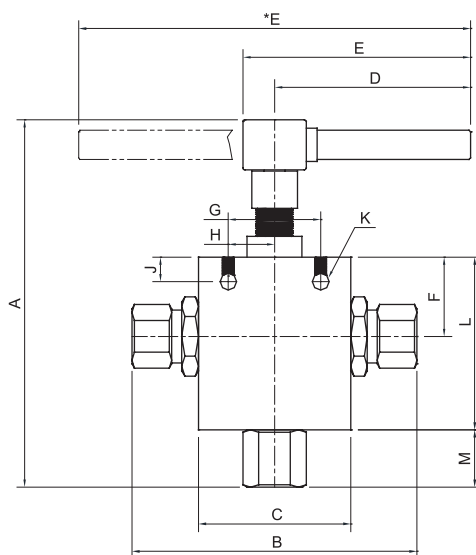


Three Way / Two Stem Connection Valves

Part Number	Tube O.D	Orifice	Dimensions, inches(mm)											Thickness
			A	B	C	D	E	F	G	H	J	K	L	
SHBV10-MP12-8	MP 3/4"	0.5 (12.7)	5.97 (126.3)	7.73 (196.5)	4.13 (104.8)	5.13 (130.2)	*10.25 (260.4)	1.76 (44.7)	3 (76.2)	1.5 (38.1)	0.5 (12.7)	0.28 (7.1)	3.09 (78.6)	1.75 (44.5)
SHBV10-MP16-8	MP 1"													
SHBV10-F12N-8	F.NPT 3/4"													
SHBV10-F16N-8	F.NPT 1"													
SHBV15-F2N-4	F.NPT 1/8"	0.25 (6.35)	4.33 (110)	4.19 (106.5)	2 (50.8)	3.37 (85.6)	3.9 (99)	1.13 (28.6)	1.5 (38.1)	0.75 (19.1)	0.43 (10.9)	0.28 (7.1)	1.91 (48.4)	1 (25.4)
SHBV15-F4N-4	F.NPT 1/4"													
SHBV15-F6N-4	F.NPT 3/8"													
SHBV15-F8N-4	F.NPT 1/2"													
SHBV15-F4N-6	F.NPT 1/4"	0.375 (9.53)	4.97 (126.3)	5.53 (140.4)	3 (76.2)	4.99 (126.8)	5.52 (140.3)	1.38 (34.9)	2 (50.8)	1 (25.4)	0.41 (10.3)	0.28 (7.1)	2.5 (63.5)	1.38 (34.9)
SHBV15-F6N-6	F.NPT 3/8"													
SHBV15-F8N-6	F.NPT 1/2"													
SHBV20-MP4-4	MP 1/4"	0.11 (2.79)	4.33 (110)	4.19 (106.5)	2 (50.8)	3.37 (85.6)	3.9 (99)	1.13 (28.6)	1.5 (38.1)	0.75 (19.1)	0.43 (10.9)	0.28 (7.1)	1.91 (48.4)	1 (25.4)
SHBV20-MP6-4	MP 3/8"													
SHBV20-MP9-4	MP 9/16"													
SHBV20-HP4-4	HP 1/4"													
SHBV20-HP6-4	HP 3/8"													
SHBV20-HP9-4	HP 9/16"													
SHBV20-MP6-6	MP 3/8"													
SHBV20-MP9-6	MP 9/16"													
SHBV20-MP12-6	MP 3/4"													

• All dimensions are for reference only, subject to change.

Table of dimensions



Three Way / Two Stem Connection Valves

Order Number	Connection	Orifice	Dimensions, inches(mm)												Thickness	
			A	B	C	D	E	F	G	H	J	K	L	M		
SHBV103-MP12-8	MP 3/4"	0.5 (12.7)	7.83 (198.8)	7.77 (197.4)	4.13 (104.8)	5.13 (130.2)	*10.25 (260.4)	1.66 (42.2)	3 (76.2)	1.5 (38.1)	0.5 (12.7)	0.28 (7.1)	3.34 (84.9)	1.7 (43.2)	1.75 (44.5)	
SHBV103-MP16-8	MP 1"															
SHBV103-F12N-8	F.NPT 3/4"															
SHBV103-F16N-8	F.NPT 1"															
SHBV153-F2N-4	F.NPT 1/8"	0.19 (4.8)	5.64 (143.4)	4.72 (119.9)	2.5 (63.5)	3.37 (85.6)	3.9 (99)	1.13 (28.6)	1.5 (38.1)	0.75 (19.1)	0.43 (10.9)	0.28 (7.1)	2.25 (57.2)	0.97 (24.6)	1 (25.4)	
SHBV153-F4N-4	F.NPT 1/4"															
SHBV153-F6N-4	F.NPT 3/8"															
SHBV153-F8N-4	F.NPT 1/2"															
SHBV153-MP6-6	MP 3/8"	0.2 (5.2)	6.55 (166.4)	5.74 (145.8)	3 (76.2)	4.99 (126.8)	5.52 (140.3)	1.38 (34.9)	2 (50.8)	1 (25.4)	0.41 (10.3)	0.28 (7.1)	2.88 (73)	1.19 (30.2)	1.38 (34.9)	
SHBV153-MP9-6	MP 9/16"	0.31 (7.9)														
SHBV153-MP12-6	MP 3/4"	0.33 (8.3)														
SHBV153-F4N-6	F.NPT 1/4"															
SHBV153-F6N-6	F.NPT 3/8"															
SHBV153-F8N-6	F.NPT 1/2"															
SHBV203-MP4-4	MP 1/4"	0.11 (2.79)	5.64 (143.4)	4.72 (119.9)	2.5 (63.5)	3.37 (85.6)	3.9 (99)	1.13 (28.6)	1.5 (38.1)	0.75 (19.1)	0.43 (10.9)	0.28 (7.1)	2.25 (57.2)	0.97 (24.6)	1 (25.4)	
SHBV203-MP6-4	MP 3/8"	0.19 (4.8)														
SHBV203-MP9-4	MP 9/16"	0.094 (2.4)														
SHBV203-HP4-4	HP 1/4"															
SHBV203-HP6-4	HP 3/8"															0.125 (3.2)
SHBV203-HP9-4	HP 9/16"															0.19 (4.8)

All dimensions are for reference only, subject to change.