

Ball Valve to DIN Standard

SBVD 370 Series

Features

- Pressure rating : 7200psig (500bar)
- Temperature rating : -20°C to 100°C with POM and NBR standard.
- Compact design with max orifice.
- Conforms to DIN standard.
- Each and every valves are tested at the factory.



Technical Data

Materials of Construction

Component	Specification			
	Valve Body Materials			
	SS316		Carbon Steel	
	ASTM	DIN	ASTM	DIN
Body				
End Connector	A479 / SS316	17440 / 1.4571	A108 / 12L14	1651 / 9SMn28K
Stem				
Ball	316 Stainless Steel			
Ball Seals	POM-MoS ₂ (Standard)			
Stem & Connector Seals	NBR (Standard)			
Handle	SS316		Carbon Steel	
Locking Device	Stainless Steel			

Temperature Rating

Stem and Connector Seals

Materials	Temperature Rating
NBR	-30°C to 100°C
Viton	-25°C to 200°C
EPDM	-50°C to 130°C

Ball Seals

Materials	Temperature Rating
POM - MoS ₂	-30°C to 100°C
PTFE	-54°C to 232°C

Specification

Locking Device

- is available as option

Indicator on Washer

- allows easy identification of flow direction

Stem & Connector Seals

- include NBR (standard), viton and EPDM(optional)

Orifice

- is maximized for minimal pressure drop
- ranges from DN 4 to DN 25.
- is available up to DN 80 upon request

Ball Seats

- are available in POM-MoS2 (standard) and PTFE (optional).

Handle

- is available in cast stainless steel (standard) and zinc plated carbon steel (optional).

Variety of End Connections

- include DIN 2353 "L" & "S" series Male & Female DIN/ISO/BSP and NPT.

Body Construction

- is machined from bar stock
- is available in stainless steel and zinc plated carbon steel.

Floating Ball

- is machined from bar stock
- is available in stainless steel and hard chrome plated carbon steel.

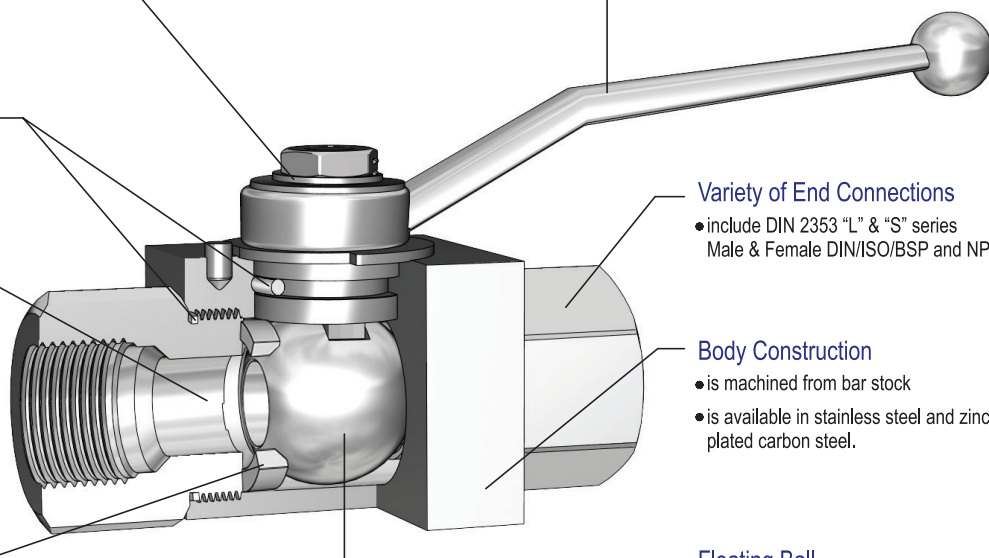


Table of Dimension

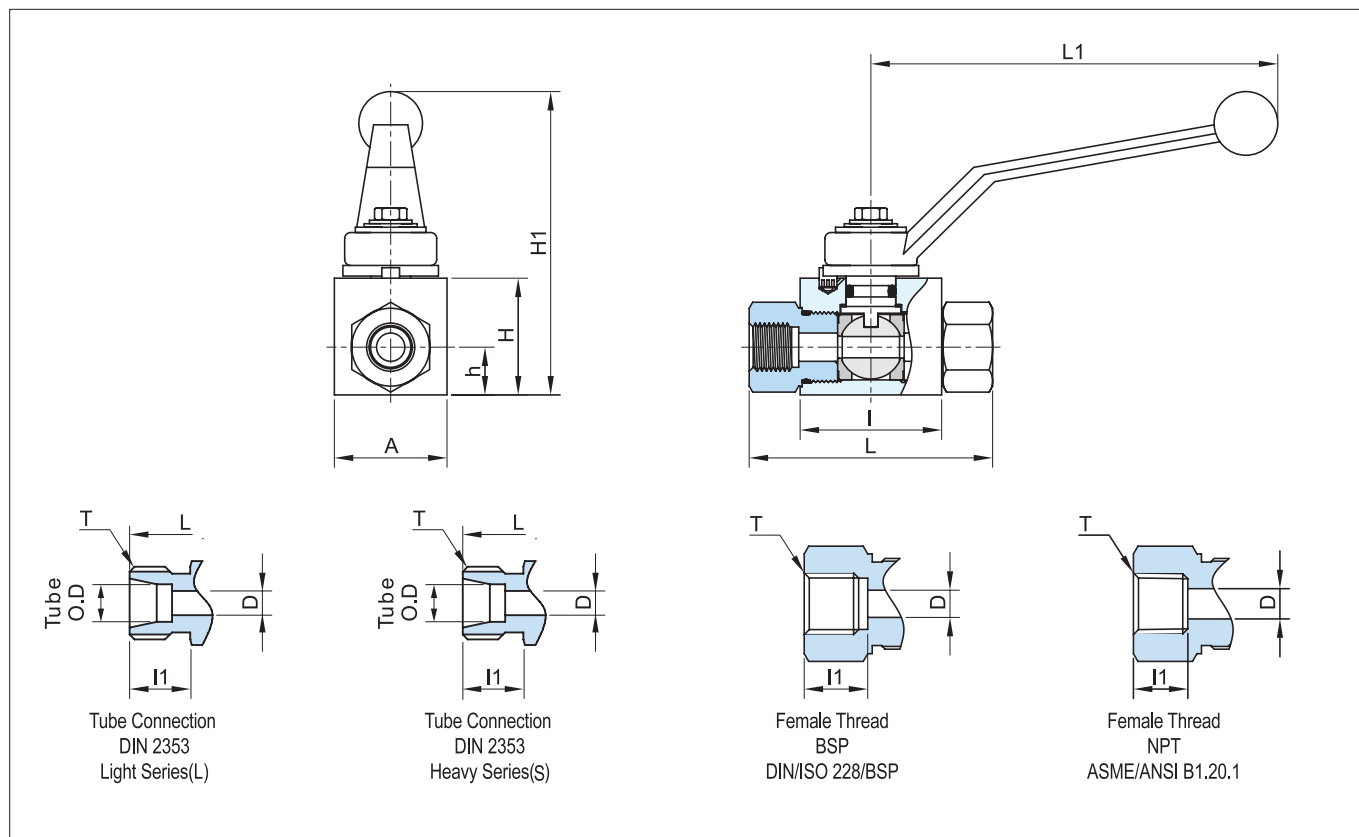


Table of Dimension

DIN 2353 Light Series (L)

Part Number	Tube O.D.	Max Orifice D	*PB	A	H	H1	h	l	l1	L	L1	Thread T	
SBVD3701	D-06L	6	4	500	26	33	83	13.5	40	10	73	115	M12 x P1.5
	D-08L	8	6	500	26	33	83	13.5	40	10	73	115	M14 x P1.5
SBVD3702	D-10L	10	8	500	32	40	88	17.5	45	11	87	115	M16 x P1.5
	D-12L	12	10	500	32	40	88	17.5	45	11	87	115	M18 x P1.5
SBVD3703	D-15L	15	12	400	40	46	96	19.0	51	12	91	160	M22 x P1.5
	D-18L	18	15	400	40	46	96	19.0	51	12	91	160	M26 x P1.5
SBVD3704	D-22L	22	20	315	55	57	112	24.5	60	14	105	200	M30 x P2.0
	D-28L	28	25	315	58	65	120	29.5	70	14	118	200	M36 x P2.0
SBVD3705	D-35L	35	32	315	76	86	150	40.5	80	16	145	250	M45 x P2.0
	D-42L	42	38	315	100	103	170	50.0	85	16	150	250	M52 x P2.0

DIN 2353 Heavy Series (S)

Part Number	Tube O.D.	Max Orifice D	*PB	A	H	H1	h	l	l1	L	L1	Thread T	
SBVD3701	D-08S	8	4	500	26	33	83	13.5	40	12	76	115	M16 x P1.5
	D-10S	10	6	500	26	33	83	13.5	40	12	76	115	M18 x P1.5
SBVD3702	D-12S	12	8	500	32	40	88	17.5	45	12	89	115	M20 x P1.5
	D-14S	14	10	500	32	40	88	17.5	45	14	93	115	M22 x P1.5
SBVD3703	D-16S	16	12	400	40	46	96	19.0	51	14	96	160	M24 x P1.5
	D-20S	20	15	400	40	46	96	19.0	51	16	100	160	M30 x P2.0
SBVD3704	D-25S	25	20	315	55	57	112	24.5	60	18	113	200	M36 x P2.0
	D-30S	30	25	315	58	65	120	29.5	70	20	130	200	M42 x P2.0
SBVD3705	D-38S	38	32	315	76	86	150	40.5	80	22	147	250	M52 x P2.0

Female DIN/ISO 228/BSP

Part Number	Max Orifice D	*PB	A	H	H1	h	l	l1	L	L1	Thread T	
SBVD3701	F-2G	4	500	26	33	83	13.5	40	10.0	69	115	1/8" PF
	F-4G	6	500	26	33	83	13.5	40	14.0	69	115	1/4" PF
SBVD3702	F-6G	10	500	32	40	88	17.5	45	14.0	74	115	3/8" PF
SBVD3703	F-8G	15(12)	400	40	46	96	19.0	51	16.5	83	160	1/2" PF
	F-10G	15	400	40	46	96	19.0	51	16.0	83	160	5/8" PF
SBVD3704	F-12G	20	315	55	57	112	24.5	60	18.0	95	200	3/4" PF
	F-16G	25	315	58	65	120	29.5	70	20.0	113	200	1" PF
SBVD3705	F-20G	32	315	76	86	150	40.5	80	22.0	120	250	1 1/4" PF
	F-24G	38	315	100	103	170	50.0	85	24.0	130	250	1 1/2" PF

Female NPT (ANSI/ASME B1.20.1)

Part Number	Max Orifice D	*PB	A	H	H1	h	l	l1	L	L1	Thread T	
SBVD3701	F-2N	4	500	26	33	83	13.5	40	13.0	69	115	1/8" NPT
	F-4N	6	500	26	33	83	13.5	40	17.0	69	115	1/4" NPT
SBVD3702	F-6N	10	500	32	40	88	17.5	45	17.4	80	115	3/8" NPT
SBVD3703	F-8N	15(12)	400	40	46	96	19.0	51	25.0	104	160	1/2" NPT
	F-10N	15	400	40	46	96	19.0	51	25.0	104	160	5/8" NPT
SBVD3704	F-12N	20	315	55	57	112	24.5	60	23.1	102	200	3/4" NPT
	F-16N	25	315	58	65	120	29.5	70	27.8	119	200	1" NPT
SBVD3705	F-20N	32	315	76	86	150	40.5	80	28.3	120	250	1 1/4" NPT
	F-24N	38	315	100	103	170	50.0	85	28.0	130	250	1 1/2" NPT

NOTE

* : PB in bar with a safety factor of 1.5.